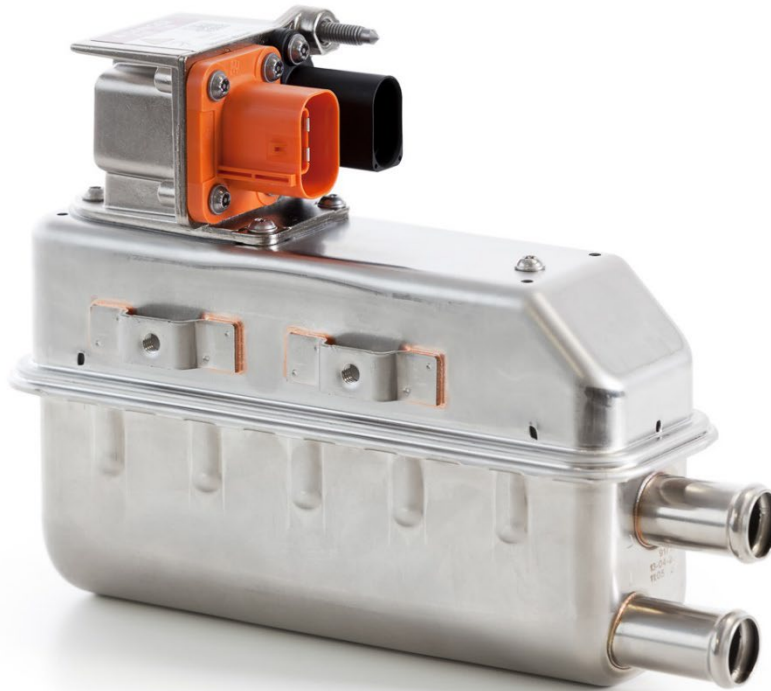


High Voltage Water Heater

Industrial version



High Voltage Water Heater	G1.5 Industry
Heating capacity (kW)	5
Heating capacity Boost (kW)	7 (up to 140% performance)
Rated voltage (V)	280 – 450 DC
Rated voltage Boost at 7kW (V)	350 – 450 DC
Flow rate min. (l/h)	360 – 840 600 (Boost >5kW)
Max. current (A)	40
Operating temperature (°C)	-40 to +110
Weight (kg)	ca. 1,7
Dimensions L x W x H (mm)	210 x 73 x 175
Communication interface	LIN Bus
Fluid connection (mm)	20 (Nozzle dimensions according to DIN3021-3)
Coolant type Mixture ratio	Mono-ethylene glycol Water:glycol = 40:60 to 60:40

TO PRODUCT

High Voltage Water Heater

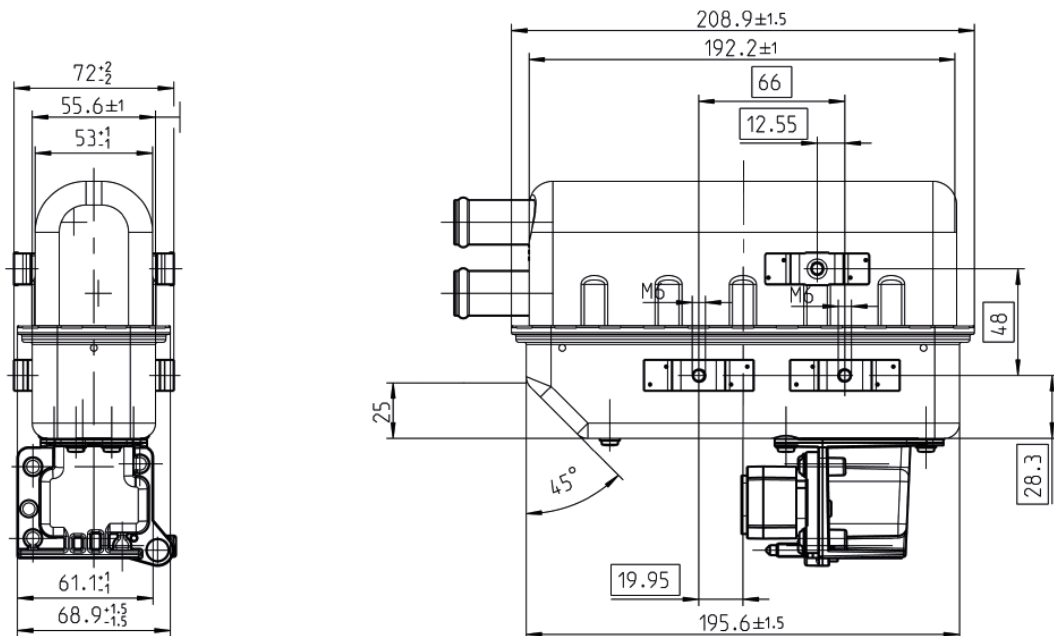
Industrial version



FEATURES

- Industrial version of the High Voltage Water Heater for heating of water circuits in special vehicles (direct current)
- Power up to 5kW/7kW Boost
- Can be operated at a voltage range of 280 - 450V DC (350 - 450V DC Boost)
- Integrated LIN control module
- Integrated temperature sensor controller
- Heating system in direct contact with medium (good efficiency & short heating time)
- Low weight (< 2kg)
- Plug connection low voltage circuit (LVC): Tyco FLA-STE-GH1, 5RD 2x4p 964852; mating connector: Tyco 2x4p 1394416-1
- Plug connection high voltage circuit (HVC): Tyco HVA 280-2P 1-2103124-5 (Key E); mating connector: Tyco 5-2208102-0

DRAWING



Rear view - Plug connector

Side view

APPLICATIONS

- Interior heating for electric / hybrid vehicles and special-purpose vehicles, e.g., electric buses, commercial vehicles, cranes, excavators, etc.