

Nimbus NG

Natural Convection Heater



Warnings and Safety Precautions

- Installation by qualified electrician or trained technical personnel only.
- Never work on live equipment.
- Never touch the heater during operation as it will get hot.
- The heater remains hot for approximately 10 minutes after it has been turned off. Allow the appliance to cool down before removing or touching it.
- Do not remove any labels.
- This appliance is not intended for use by persons (including children) with reduced physical, sensory or mental capabilities or lack of experience and/or knowledge, unless they have been given supervision or instruction concerning the use of the appliance. Children should be supervised to ensure they do not play with the appliance.

Product Description

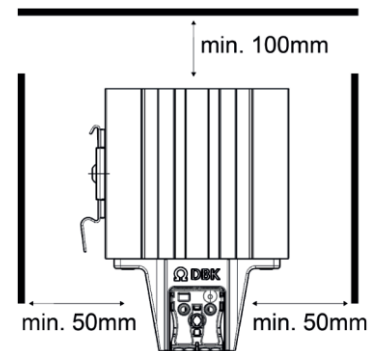
PTC based natural convection enclosure heater
 All products of this range with IP20 rating.
 All products of this range protection class 2
 Operating voltage 110 - 240 V
 Performance measured at 10°C ambient temperature

Typical Applications

- Anti-condensation and climate control for electrical enclosures and cabinets.
- Anti-condensation and climate control for industrial enclosures and cabinets.

Installation

- **The heater must only be mounted into a housing with inner dimension min. 600x300x200 mm.**
- Installation by skilled or trained personnel only.
- Mounting with DIN clip on TS35 rail.
- When installing the heater ensure that the clearances shown in the diagram are met to allow for sufficient air circulation and maintain an optimum operating temperature.
- When connecting the appliance to the power supply make sure the mains voltage corresponds to the voltage specified on the appliance and that the rules and instructions stipulated by the relevant authorities for electrical installations as well as the pertinent accident prevention regulations are complied with.
- Live wires must not come in contact with the heater housing or cross the hot air outlet.
- The heater must not be installed in the vicinity of flammable materials.
- The appliance is not suited for use in wet, aggressive or corrosive environments.
- Before beginning cleaning or maintenance works, all live parts shall be de-energized. Clearance to live contacts must be at least 3mm.
- The heater should be protected by a time delay fuse to avoid false tripping when starting from a cold condition.



Heater Type	Power (at 10 degC)	with touch protection	Recommended Fuse Rating (time delay)	
			110V	240V
Nimbus NG 20	20 W	(1)	4 A	6,3 A
Nimbus NG 30	30 W	(1)	4 A	6,3 A
Nimbus NG 50	50 W	(1)	4 A	6,3 A
Nimbus NG 75	75 W	(1)	4 A	6,3 A



Remark: (1) = Typical power reduction approx. 10%

Operation

Connection: 2 x 0.5-2.5mm² - use only single –stranded solid conductors.
 Wire strip length: 8 mm (for 0.5 – 1.0mm²), 10 mm (for 1.5 – 2.5mm²)

Maintenance

No user serviceable parts inside this unit. Disassembly should not be attempted.

