

Nimbus NG < 100W

PTC Convection Heater



Nimbus NG < 100W	20	30	50	75
Power output at 10°C (W)	20	30	50	75
Power output at -25°C (W)	25	40	60	95
Voltage range (V)	110 - 240 AC/DC			
Inrush current at 115V (A)	1,3	1,3	1,3	2,5
Inrush current at 230V (A)	2,7	2,7	2,7	5,5
Protection class	II			
Degree of protection	IP20			
Connection	Terminal block			
Fixing	Clip for 35mm DIN rail EN 50 022			
Dimensions LxWxH (mm)	100,5 x 70 x 23,4			
Weight total (kg)	approx. 0,15			
Touch protection available	Yes			
Recommended fuse (time delay) 115V (A)	4	4	4	4
Recommended fuse (time delay) 230V (A)	6	6	6	6



Nimbus NG < 100W

PTC Convection Heater

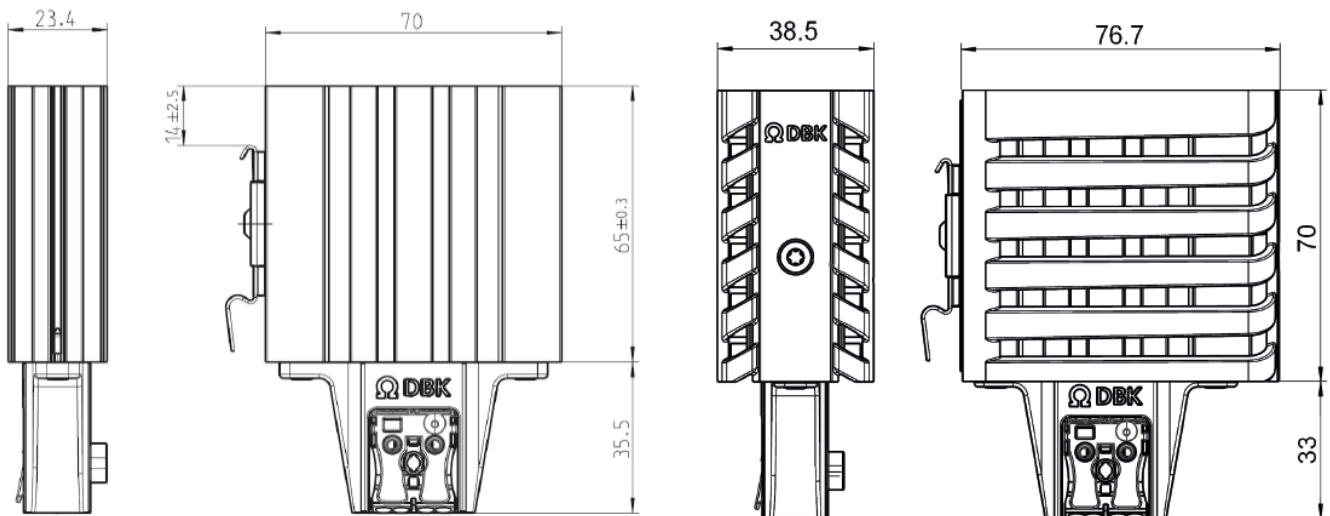


FEATURES

- Compact PTC Convection Heater for moisture and frost protection in electrical cabinets & enclosures
- Power from 20W to 75W
- Multi-voltage capability in the range of 110 – 240V AC or DC
- High safety and energy efficiency thanks to the PTC effect
- Anodized aluminum profile
- Thermal insulation from DIN rail
- Easy installation thanks to DIN clip and terminal block
- Optional touch protection
- Operation down to -40°C

TO PRODUCT

DRAWING



Nimbus NG without touch protection

Nimbus NG with touch protection

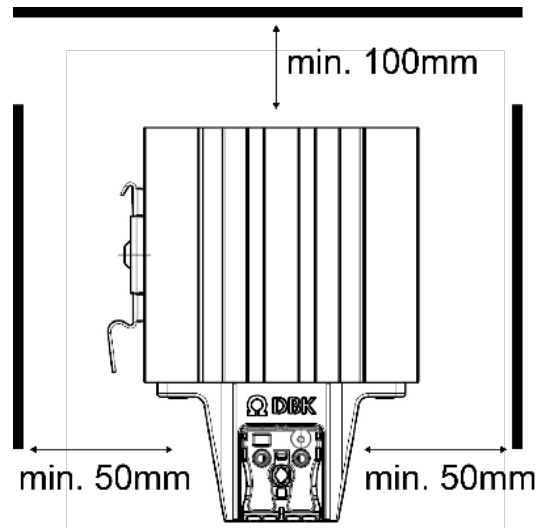
Nimbus NG < 100W

PTC Convection Heater



INSTALLATION NOTE:

The heater must only be mounted into a housing with inner dimension of min. 600x300x200mm:



APPLICATIONS

- Enclosure heating, heating of outdoor cabins, display heating
- Frost protection in ATMs / ticket machines / parking ticket machines
- Frost protection of mechanical components in wind turbines, heating of fuel dispensers, energy ports, access systems, etc.

