



Cirrus 80	300/600	450/800
Nominal Power at 10°C, 115V 230V (W)	300 / 600	450 / 800
Max. Inrush Current RMS at 230V AC (A)	10	11
Max. Inrush Current RMS at 115V AC (A)	15	14
Max. Body Temperature (°C)	55	80
Protection Class	I	
Ingress Protection	IP20	
Operating Temperature Range (°C)	-40 to +60	
Fan Volumetric Flow (m ³ /h)	45 - 54	
Fan Life Time - L10 at 40°C (hrs)	43.500	
Nominal Input Voltage Depending on Variant (V)	115/230 AC	
Dimensions cross section (mm)	82 x 110	
Length (mm)	150	
Weight (g)	785	
Finger Guards at Inlet and Outlet	Yes	

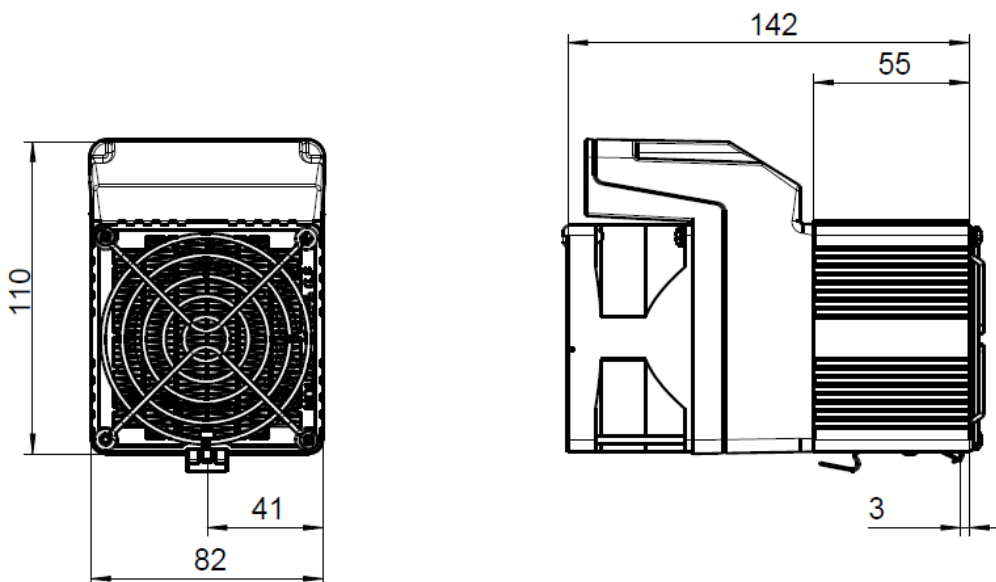


FEATURES

- Most powerful PTC Fan Heater for targeted air flow to protect against moisture and frost in enclosures & electrical cabinets
- Power from 300W to 800W
- Can be operated at 115V AC or 230V AC
- Separate fan operation mode
- High safety and energy efficiency thanks to the PTC effect
- Switchable between two power levels
- Housing made of heat-resistant plastic and aluminum
- Easy installation with DIN clip, electrical connection via connecting cable or terminal block
- Optional: Air filter

TO PRODUCT

DRAWING



Cirrus 80 Bottom / Side view

APPLICATIONS

- Enclosure heater, Heating of outdoor cabinets
- CCTV, webcam heater, display heater
- Frost protection in ATMs / ticket machines / parking ticket machines
- Frost protection of mechanical components in wind turbines
- Heating of fuel dispensers, energy ports, etc.

