



Cirrus 60	200 - 400		
Nominal Power at 10°C (W)	400	300	200
Max. Inrush Current RMS at 230V AC (A)	10	8	4
Max. Inrush Current RMS at 115V AC (A)	5	3,5	1,75
Max. Body Temperature at 40°C ambient (°C)	55	50	45
Protection Class	II		
Ingress Protection	IP20		
Operating Temperature Range (°C)	-10 to +70		
Storage Temperature Range (°C)	-40 to +70		
Fan Volumetric Flow at 50Hz, 230 VAC (m3/h)	10		
Fan Volumetric Flow at 60 Hz, 115VAC (m3/h)	13		
Fan Life Time - L10 at 40°C (hrs)	49.000		
Nominal Input Voltage Depending on Variant (V)	115/230 AC		
Dimensions cross section (mm)	71 x 70		
Length (mm)	98,2		
Harness Length (mm)	240		
Weight (g)	275 to 310		
Finger Guards at Inlet (integrated with moulding at outlet)	Yes		

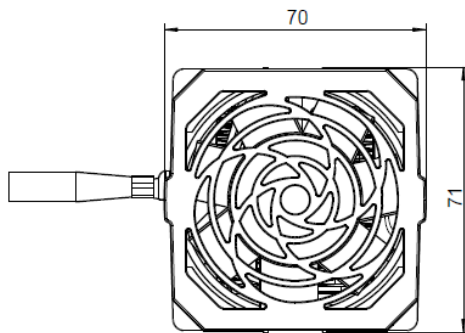


FEATURES

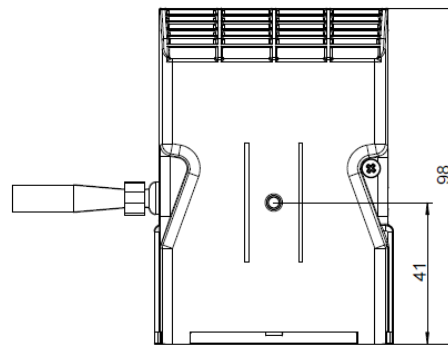
- Compact PTC Fan Heater for targeted air flow to protect against moisture and frost in enclosures & electrical cabinets
- Switchable between three power levels 200W / 300W / 400W
- Can be operated at 115V AC or 230V AC
- Separate fan operation mode
- High safety and energy efficiency thanks to the PTC effect
- Housing made of heat-resistant plastic
- Easy installation with DIN clip and connection cable
- Optional: Mounting bracket for wall mounting / floor mounting

TO PRODUCT

DRAWING



Cirrus 60 Bottom view



Cirrus 60 Side view

APPLICATIONS

- Enclosure heater, Heating of outdoor cabinets
- CCTV, webcam heater, display heater
- Frost protection in ATMs / ticket machines / parking ticket machines
- Frost protection of mechanical components in wind turbines
- Heating of fuel dispensers, energy ports, etc.

