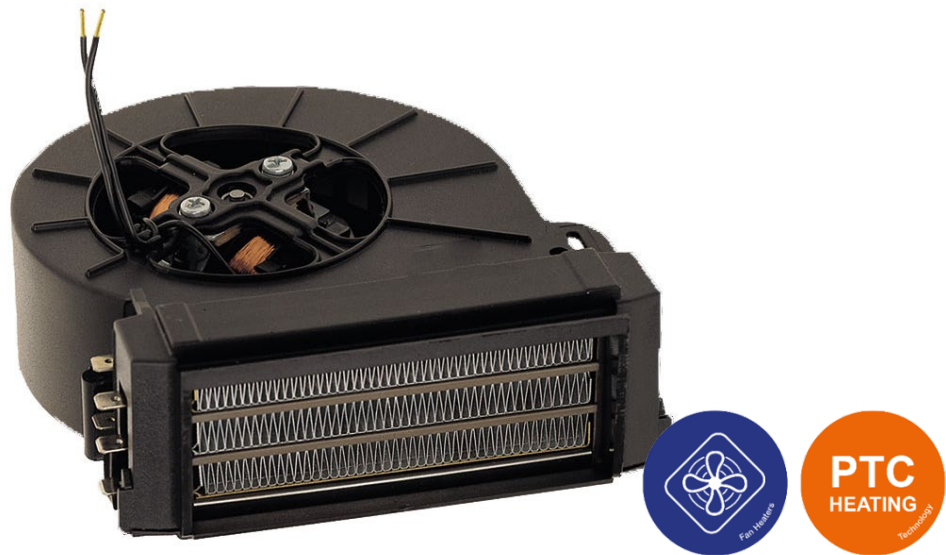


# Radial Fan Heater LA09 - 110V

PTC Fan Heater



| PTC Radial Fan Heater LA09       |                    |
|----------------------------------|--------------------|
| Operating power (W)              | 750                |
| Operating voltage range (V)      | 100 - 120 AC       |
| Nominal frequency (Hz)           | 60                 |
| Inrush current (A)               | 12                 |
| Surface temperature max. (°F)    | 446                |
| Outlet temperature max. (°F)     | 266                |
| Operating temperature range (°F) | -22 to +77         |
| Life time at 77°F (h)            | 50.000             |
| Dimensions (mm)                  | 5.63 x 5.71 x 2.17 |



## FEATURES

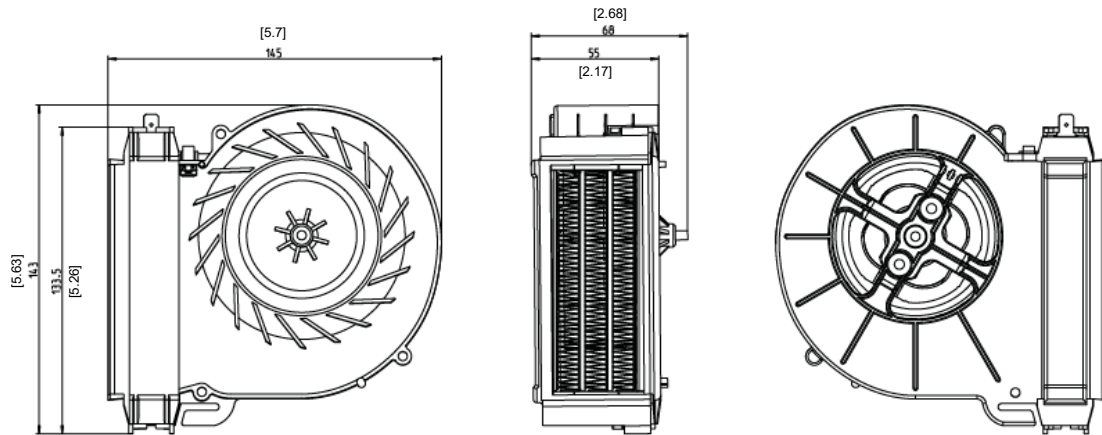
- PTC Radial Fan Heaters for targeted airflow to protect against moisture and frost in enclosures & electrical cabinets
- Power version 750W
- Can be operated in a voltage range of 100 - 120V AC
- High safety and energy efficiency thanks to the PTC effect
- Ready-to-install quick-response heater with radial blower
- Integrated temperature limiter (176°F)

# Radial Fan Heater LA09 - 110V



PTC Fan Heater

## DRAWING



Radial Fan Heater LA09

## APPLICATIONS

- Enclosure heater, Heating of outdoor cabinets
- CCTV, webcam heater, display heater
- Frost protection in ATMs / ticket machines / parking ticket machines
- Frost protection of mechanical components in wind turbines
- Heating of fuel dispensers, energy ports, etc.

